

Specification Data

Panasonic Ventilation Fan

Panasonic

WhisperFit-Lite™
VENTILATION FAN



Description

Ventilating fan shall be Low Noise ceiling mount type rated for continuous run. Fan shall be Energy Star rated and certified by the Home Ventilation Institute (HVI). Evaluated by Underwriters Laboratories and conform to both UL and cUL safety standards.

Motor/Blower:

- Four-pole totally enclosed condenser motor rated for continuous run.
- Power Rating shall be 120 volts and 60 hz.
- Fan shall be UL and cUL listed for tub/shower enclosure when used with a GFCI branch circuit wiring.
- Motor equipped with thermal-cutoff.
- Removable with permanently lubricated plug-in motor.

Housing:

- Rust proof paint, galvanized steel body.
- 4" diameter duct with optional 3" adapter included.
- Built in backdraft damper.
- Double hangar bar system allowing for ideal positioning.

Grille:

- Attractive design using PP material.
- Attaches directly to housing with torsion springs.

Light:

- Two 13 watt, 3500 Kelvin quick start compact fluorescent lamps included.
- One 4 watt night-light included.

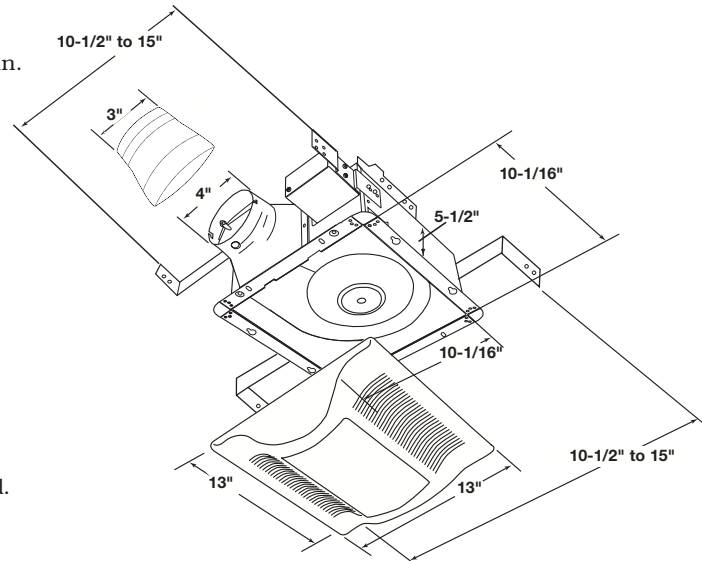
Warranty:

- The factory warranty shall be a minimum of 3 years limited warranty on parts.

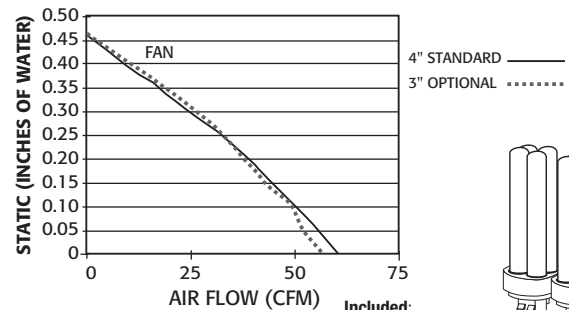
Typical Specifications:

Ventilating fan shall be of the ceiling mount. Energy Star rated type, with no less than 50 CFM and no more than 0.4 sones as certified by the Home Ventilating Institute (HVI) at 0.1 static pressure in inches of water gauge when used with the 4" duct. Power consumption shall be no greater than 14 watts and Energy Star rated with efficiency rating of no less than 3.5 cfm/watt. The motor shall be totally enclosed, four pole condenser type engineered to run continuously. Power shall be 120v/60Hz. 3" duct adapter available with performance specifications as listed in the specification chart below. Fan shall be UL and cUL listed for tub/shower enclosure when used with GFCI branch circuit wiring.

FV-05VFL1 (50 cfm)



Fan Curve FV-05VFL1



Included:
2 Panasonic Quick Start
13 Watt Compact Fluorescent Lamps.

Specifications:

FV-05VFL1		4" Duct (Standard)		3" Duct (Optional)		Specifications (all specs below are for 4" and 3" Duct)	
Ventilation Fan Characteristics (HVI Certified Data)	Static Pressure (inches w.g.)	0.1	0.25	0.1	0.25	Motor Type	Condenser
	Air Volume (CFM)	50	32	50	34	Type of Motor Bearing	Ball
	Noise (sones)	0.4	NA	0.6	NA	Thermal Fuse Protection	Yes
	Power Consumption (Watts)	14	14	14	14	Blower Wheel Type	Sirocco
	Energy Efficiency (CFM/Watts)	3.5	2.3	3.5	2.5	Installation	
	Speed (RPM)	822	1090	921	1155	Duct Diameter (inches)	4 or 3
	Current (amps)	0.11	0.11	0.11	0.11	Mounting Opening (inches sq.)	10-1/4
	Power Rating (V/Hz.)	120/60				Grille Size (inches sq.)	13
						Weight and Standards	
						Gross Weight (lbs)	18.5
						UL Tub Shower Enclosure	Yes
						Washington State VIAQ Code	Yes
						Mfg in ISO 9001 Certified Facility	Yes

For Complete Installation Instructions Visit www.panasonic.com/building



Model	Quantity	Comments	Project:
			Location:
			Architect:
			Engineer:
			Contractor:
			Submitted by:
			Date: